

1 x 18 HartVue R8018

Product

Colors

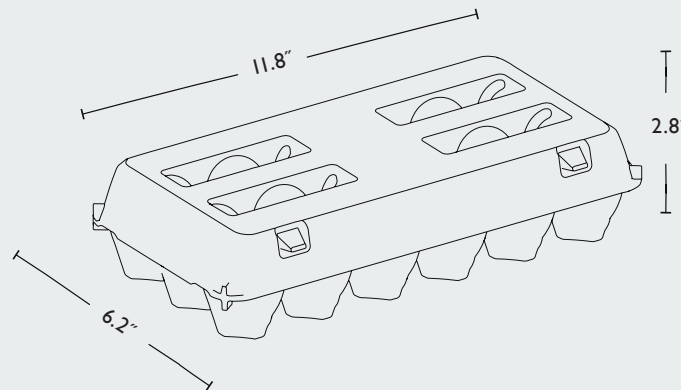
Standard color


Availability

Direct print

Egg Sizes

Our R8018 egg cell is constructed for weight classes S, M, L and XL.

Product Dimensions


	Length	Width (open)	Height (open)	Width (closed)	Height (closed)
Millimetres-Measurements	300	345	48	157	71
Inches-Measurements	11.8	13.6	1.9	6.2	2.8

1 x 18 HartVue R8018

Average Dry Weight

With direct print: 76 g | 2.7 oz

Bundle Specs

Cartons: 130	Length	Width	Height	Bundle Weight	
Millimetres-Measurements	940	345	300	(kg)	(lb)
Inches-Measurements	37	13.6	11.8	9.8	21.5

Machine Settings

ID-Moba: HA1803

Separator: 126

Denester settings:

L	G	J	II	I2
37	24	8	14	36

ID-Sanovo (Staalkat): HA-0059

Clamp Plates Assembly: Z332101

Program: 21

BL	BR	GL	GR	A
G	G	9	II	45
B	C	K	L	M
47	15	64	35	18

Print Parameters

Direct Print: Dry Offset

Top - 4 spot colors*

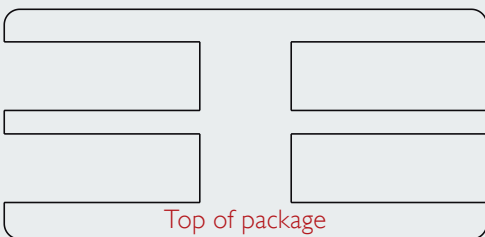
Front & Back - 2 spot colors*

*inks from Hartmann custom Library

Barcode



Back of package



Top of package



Front of package

Inlid Print: Dry Offset

1 spot color*

*inks from Hartmann custom Library



Inlid print

Dielines for labels and print areas can be downloaded at www.hartmann-packaging.com

Certification (optional)

