

1 x 12 Hybrid R9012

Product

Colors

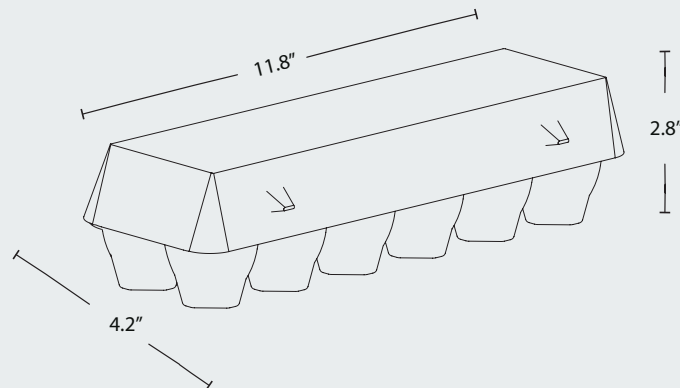
Standard color


Availability

 Grey Base
 White Paperboard
 Top

Egg Sizes

Our R9012 egg cell is constructed for weight classes S, M, L and XL.

Product Dimensions


	Length	Width (open)	Height (open)	Width (closed)	Height (closed)
Millimetres-Measurements	300	246	69	107	71
Inches-Measurements	11.8	9.7	2.7	4.2	2.8

1 x 12 Hybrid R9012

Average Dry Weight

With direct print: 57.2 g | 2 oz

Bundle Specs

Cartons: 125	Length	Width	Height
Millimetres-Measurements	1016	246	300
Inches-Measurements	40	9.7	11.8

Bundle Weight

(kg)	(lb)
7.2	15.8

Machine Settings

ID-Moba: HA1212*

Separator: 146 (new plate)

Denester settings:

L	G	J	II	I2
13	23	6	14	36

*Transport belts must be lowered approximately 4 mm

ID-Sanovo (Staalkat): HA-0060

Clamp Plates Assembly: Z332004

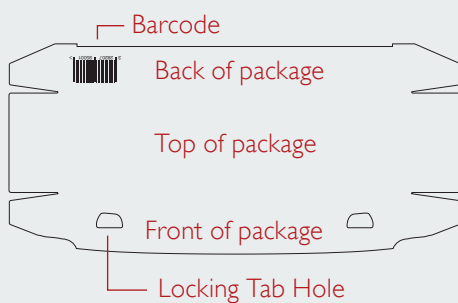
Program: 2

BL	BR	GL	GR	A
F	F	10	10	23
B	C	K	L	M
14	42	50	9	34

Print Parameters

Label: Litho
4 colors (process print),
spot colors on request

Inlid Print: Litho
4 colors** (process print)
**at limited density



Dielines for labels and print areas can be downloaded at www.hartmann-packaging.com

Certification (optional)

